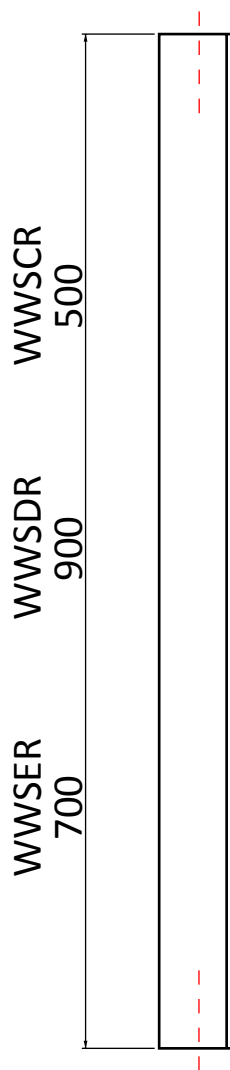
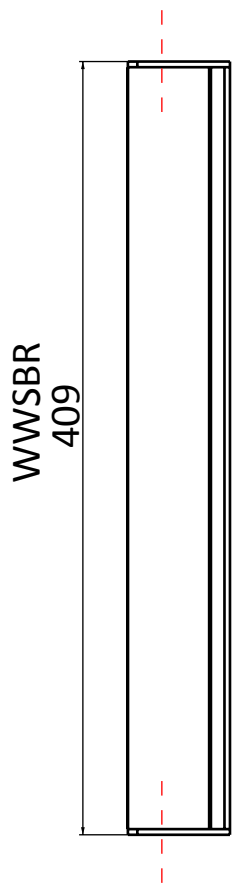
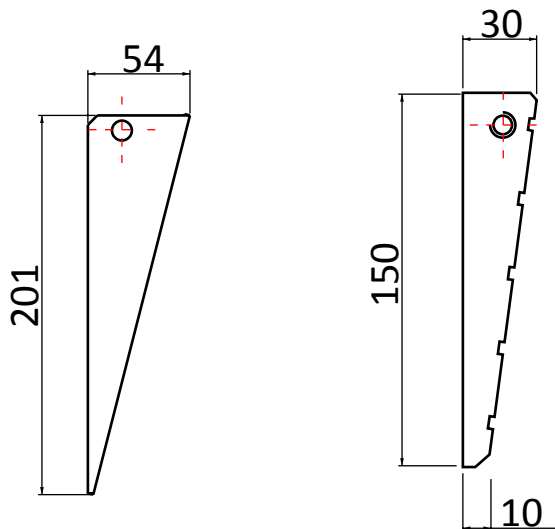


# WWSBR - WWSCR - WWSER - WWSDR



dimensions in mm